

Bảng thông số sản phẩm

Thông số kỹ thuật



variable speed drive, Easy Altivar
610, 5.5kW, 7.5hp, 380 to 460V,
IP20

ATV610U55N4

Main

| | |
|------------------------------------|--|
| Range of product | Easy Altivar 610 |
| product or component type | Variable speed drive |
| Product specific application | Fan, pump, compressor, conveyor |
| Device short name | ATV610 |
| variant | Standard version |
| product destination | Asynchronous motors Synchronous motors |
| mounting mode | Cabinet mount |
| EMC filter | Integrated conforming to IEC 61800-3 category C3 with 50 m |
| IP degree of protection | IP20 |
| Type of cooling | Forced convection |
| Supply frequency | 50...60 Hz +/- 5 % |
| Network number of phases | 3 phases |
| [Us] rated supply voltage | 380...460 V - 15...10 % |
| Motor power kW | 5.5 kW for normal duty 4 kW for heavy duty |
| Motor power hp | 7.5 hp for normal duty 5 hp for heavy duty |
| Line current | 11.6 A at 380 V (normal duty) 10.5 A at 460 V (normal duty) 8.9 A at 380 V (heavy duty) 7.9 A at 460 V (heavy duty) |
| Prospective line Isc | 22 kA |
| Apparent power | 8.4 kVA at 460 V (normal duty) 6.3 kVA at 460 V (heavy duty) |
| Continuous output current | 12.7 A at 4 kHz for normal duty 9.3 A at 4 kHz for heavy duty |
| Maximum transient current | 14 A during 60 s (normal duty) 14 A during 60 s (heavy duty) |
| Asynchronous motor control profile | Optimized torque mode Variable torque standard Constant torque standard |
| Output frequency | 0.1...500 Hz |
| Nominal switching frequency | 4 kHz |
| Switching frequency | 2...12 kHz adjustable |
| number of preset speeds | 16 preset speeds |

| | |
|------------------------------------|---|
| Communication port protocol | Modbus serial |
| Option card | Slot A: communication card, Profibus DP V1 Slot A: digital or analog I/O extension card Slot A: relay output card |

Complementary

| | |
|--|--|
| Output voltage | <= power supply voltage |
| Motor slip compensation | Automatic whatever the load Adjustable Not available in permanent magnet motor law Can be suppressed |
| Acceleration and deceleration ramps | Linear adjustable separately from 0.01 to 9000 s S, U or customized |
| Braking to standstill | By DC injection |
| Protection type | Thermal protection: motor Motor phase break: motor Thermal protection: drive Overheating: drive Overcurrent between output phases and earth: drive Overload of output voltage: drive Short-circuit protection: drive Motor phase break: drive Overvoltages on the DC bus: drive Line supply overvoltage: drive Line supply undervoltage: drive Line supply phase loss: drive Overspeed: drive Break on the control circuit: drive |
| Frequency resolution | Display unit: 0.1 Hz Analog input: 0.012/50 Hz |
| Electrical connection | Control, screw terminal: 0.5...1.5 mm ² Line side, screw terminal: 2.5...16 mm ² Motor, screw terminal: 2.5...16 mm ² |
| Connector type | 1 RJ45 (on the remote graphic terminal) for Modbus serial |
| Physical interface | 2-wire RS 485 for Modbus serial |
| Transmission frame | RTU for Modbus serial |
| Transmission rate | 4.8, 9.6, 19.2, 38.4 kbit/s for Modbus serial |
| Type of polarization | No impedance for Modbus serial |
| Number of addresses | 1...247 for Modbus serial |
| Method of access | Slave |
| Supply | External supply for digital inputs: 24 V DC (19...30 V), <1.25 mA, protection type: overload and short-circuit protection Internal supply for reference potentiometer (1 to 10 kOhm): 10.5 V DC +/- 5 %, <10 mA, protection type: overload and short-circuit protection |
| Local signalling | 2 LEDs for local diagnostic 1 LED (yellow) for embedded communication status 2 LEDs (dual colour) for communication module status 1 LED (red) for presence of voltage |
| Width | 145 mm |
| Height | 297 mm 350 mm with EMC plate |
| Depth | 203 mm |
| net weight | 4.575 kg |
| Analogue input number | 3 |

| | |
|----------------------------------|--|
| Analogue input type | AI1, AI2, AI3 software-configurable voltage: 0...10 V DC, impedance: 30 kOhm, resolution 12 bits AI1, AI2, AI3 software-configurable current: 0...20 mA, impedance: 250 Ohm, resolution 12 bits AI2, AI3 software-configurable temperature probe or water level sensor |
| Discrete input number | 6 |
| Discrete input type | DI1...DI6 programmable as logic input, 24 V DC (≤ 30 V), impedance: 3.5 kOhm DI5, DI6 programmable as pulse input: 0...30 kHz, 24 V DC (≤ 30 V) |
| Input compatibility | DI1...DI6: logic input level 1 PLC conforming to IEC 61131-2 DI5, DI6: pulse input level 1 PLC conforming to IEC 65A-68 |
| Discrete input logic | Positive logic (source): DI1...DI6 configurable logic input, < 5 V (state 0), > 11 V (state 1) Negative logic (sink): DI1...DI6 configurable logic input, > 16 V (state 0), < 10 V (state 1) Positive logic (source): DI5, DI6 configurable pulse input, < 0.6 V (state 0), > 2.5 V (state 1) |
| Analogue output number | 2 |
| Analogue output type | Software-configurable current AQ1, AQ2: 0...20 mA, resolution 10 bits Software-configurable voltage AQ1, AQ2: 0...10 V DC impedance 470 Ohm, resolution 10 bits |
| Sampling duration | 5 ms \pm 0.1 ms (AI1, AI2, AI3) - analog input 2 ms \pm 0.5 ms (DI1...DI6)configurable - discrete input 5 ms \pm 1 ms (DI5, DI6)configurable - pulse input 10 ms \pm 1 ms (AQ1, AQ2) - analog output |
| Accuracy | \pm 0.6 % AI1, AI2, AI3 for a temperature variation 60 °C analog input \pm 1 % AQ1, AQ2 for a temperature variation 60 °C analog output |
| Linearity error | AI1, AI2, AI3: \pm 0.15 % of maximum value for analog input AQ1, AQ2: \pm 0.2 % for analog output |
| Relay output number | 3 |
| Relay output type | Configurable relay logic R1: fault relay NO/NC electrical durability 100000 cycles Configurable relay logic R2: sequence relay NO electrical durability 100000 cycles Configurable relay logic R3: sequence relay NO electrical durability 100000 cycles |
| Refresh time | Relay output (R1, R2, R3): 5 ms (\pm 0.5 ms) |
| Minimum switching current | Relay output R1, R2, R3: 5 mA at 24 V DC |
| Maximum switching current | Relay output R1, R2, R3 on resistive load, $\cos \phi = 1$: 3 A at 250 V AC Relay output R1, R2, R3 on resistive load, $\cos \phi = 1$: 3 A at 30 V DC Relay output R1, R2, R3 on inductive load, $\cos \phi = 0.4$ and L/R = 7 ms: 2 A at 250 V AC Relay output R1, R2, R3 on inductive load, $\cos \phi = 0.4$ and L/R = 7 ms: 2 A at 30 V DC |
| Isolation | Between power and control terminals |
| Insulation resistance | > 1 MOhm 500 V DC for 1 minute to earth |

Environment

| | |
|--------------------------------------|--|
| Noise level | 55 dB conforming to 86/188/EEC |
| Power dissipation in W | 171 W(forced convection) at 380 V, switching frequency 4 kHz 35 W(natural convection) at 380 V, switching frequency 4 kHz |
| Operating position | Vertical \pm 10 degree |
| Electromagnetic compatibility | Electrostatic discharge immunity test level 3 conforming to IEC 61000-4-2 Radiated radio-frequency electromagnetic field immunity test level 3 conforming to IEC 61000-4-3 Electrical fast transient/burst immunity test level 4 conforming to IEC 61000-4-4 1.2/50 μ s - 8/20 μ s surge immunity test level 3 conforming to IEC 61000-4-5 Conducted radio-frequency immunity test level 3 conforming to IEC 61000-4-6 |
| Pollution degree | 2 conforming to IEC 61800-5-1 |
| Vibration resistance | 1.5 mm peak to peak ($f = 2...13$ Hz) conforming to IEC 60068-2-6 1 gn ($f = 13...200$ Hz) conforming to IEC 60068-2-6 |

| | |
|--|--|
| Shock resistance | 15 gn for 11 ms conforming to IEC 60068-2-27 |
| Relative humidity | 5...95 % without condensation conforming to IEC 60068-2-3 |
| Ambient air temperature for operation | -15...45 °C (without derating) 45...60 °C (with derating factor) |
| Operating altitude | <= 1000 m without derating 1000...4800 m with current derating 1 % per 100 m |
| Environmental characteristic | Chemical pollution resistance class 3C3 conforming to IEC 60721-3-3 Dust pollution resistance class 3S3 conforming to IEC 60721-3-3 |
| Standards | IEC 61800-3 Environment 2 category C3 IEC 61800-3 IEC 61800-5-1 IEC 60721-3 |
| marking | CE |

Packing Units

| | |
|-------------------------------------|-----------|
| Unit Type of Package 1 | PCE |
| Number of Units in Package 1 | 1 |
| Package 1 Height | 17.500 cm |
| Package 1 Width | 31.000 cm |
| Package 1 Length | 40.500 cm |
| Package 1 Weight | 5.566 kg |
| Unit Type of Package 2 | P06 |
| Number of Units in Package 2 | 6 |
| Package 2 Height | 75.000 cm |
| Package 2 Width | 80.000 cm |
| Package 2 Length | 60.000 cm |
| Package 2 Weight | 45.296 kg |

Bền vững

Nhãn **Green Premium™** là cam kết của Schneider Electric trong việc cung cấp sản phẩm với hiệu suất môi trường tốt nhất. Green Premium cam kết tuân thủ các quy định mới nhất, minh bạch về tác động môi trường, cũng như các sản phẩm tuần hoàn và CO₂ thấp.

Hướng dẫn đánh giá tính bền vững của sản phẩm là tài liệu kỹ thuật phổ thông giúp làm rõ các tiêu chuẩn nhãn sinh thái toàn cầu và cách diễn giải việc khai báo môi trường.

[Tìm hiểu thêm về Green Premium >](#)

[Hướng dẫn đánh giá về sự bền vững của sản phẩm >](#)



Minh bạch [RoHS/REACH](#)

Hiệu suất tài nguyên

Upgradeable Through Digital Modules
And Upgraded Components

Hiệu suất sức khỏe

Mercury Free

Rohs Exemption Information [Yes](#)

Chứng nhận & Tiêu chuẩn

Reach Regulation [REACH Declaration](#)

Eu Rohs Directive Pro-active compliance (Product out of EU RoHS legal scope)

China Rohs Regulation [China RoHS declaration](#)

Environmental Disclosure [Product Environmental Profile](#)

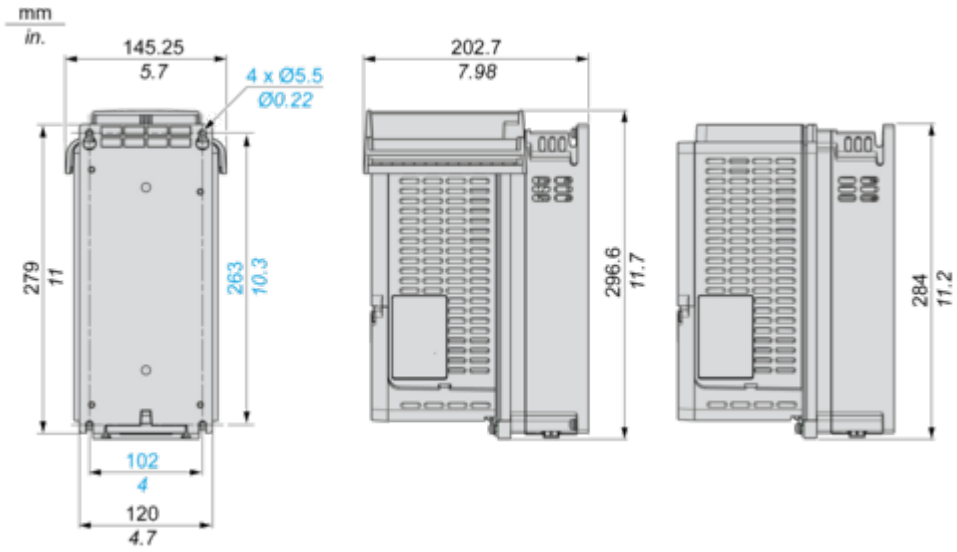
Weee The product must be disposed on European Union markets following specific waste collection and never end up in rubbish bins

Circularity Profile [End of Life Information](#)

Dimensions Drawings

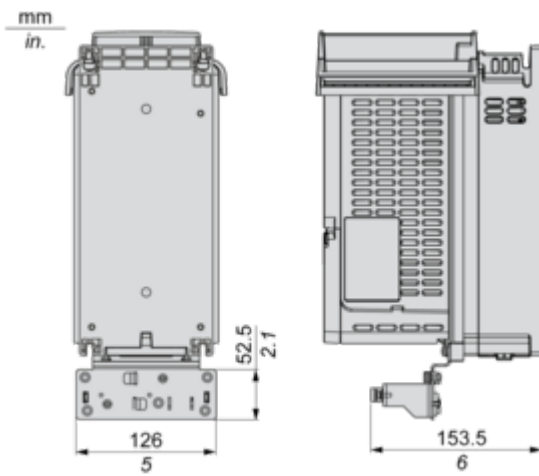
Dimensions

IP20 Drives



Drawings from left to right: rear view, right side view with top cover, right side view without top cover.

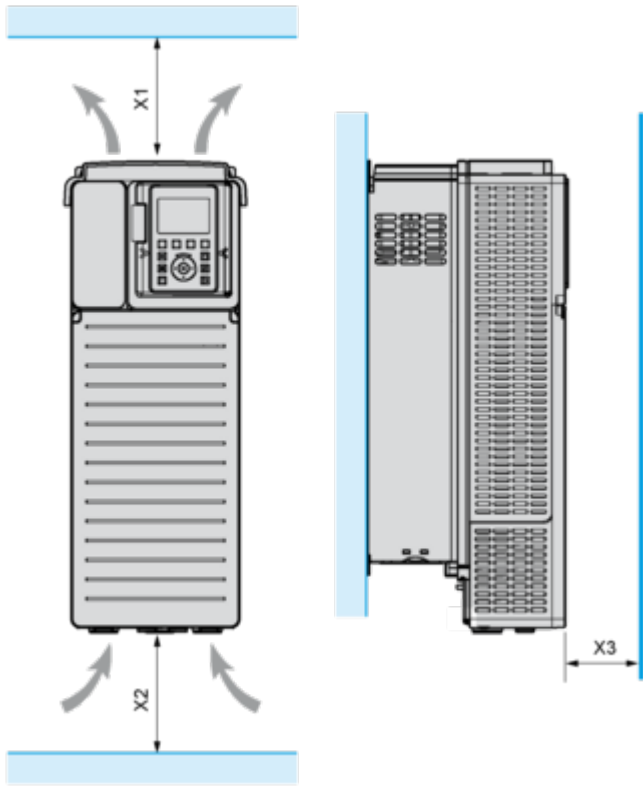
IP20 Drives With EMC Plate



Drawings from left to right: rear view, right side view with top cover.

Mounting and Clearance

Clearances

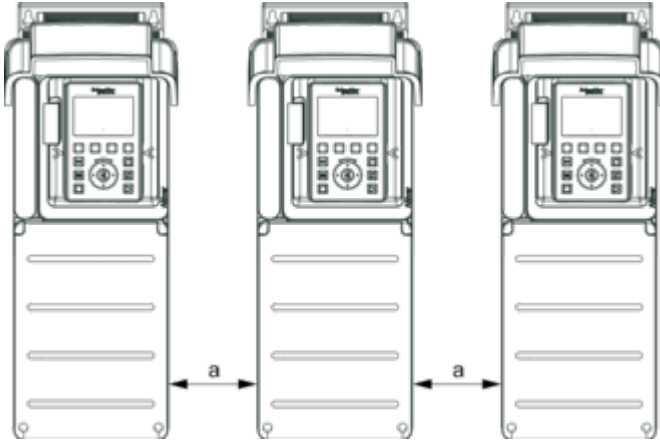


| X1 | X2 | X3 |
|---------------------|---------------------|--------------------|
| ≥ 100 mm (3.94 in.) | ≥ 100 mm (3.94 in.) | ≥ 10 mm (0.39 in.) |

- Mount the device in a vertical position ($\pm 10^\circ$). This is required for cooling the device.
- Do not mount the device close to heat sources.
- Leave sufficient free space so that the air required for cooling purposes can circulate from the bottom to the top of the drive.

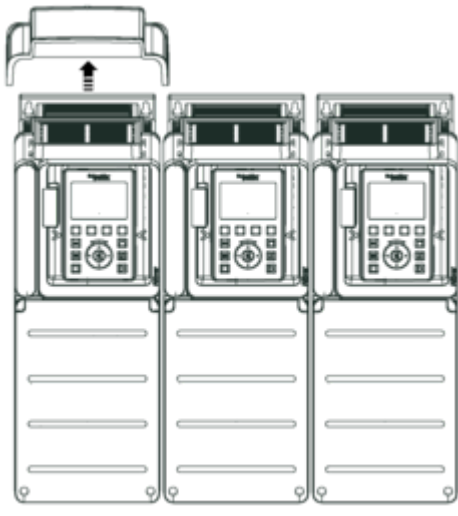
Mounting Types

Mounting Type A: Individual IP21

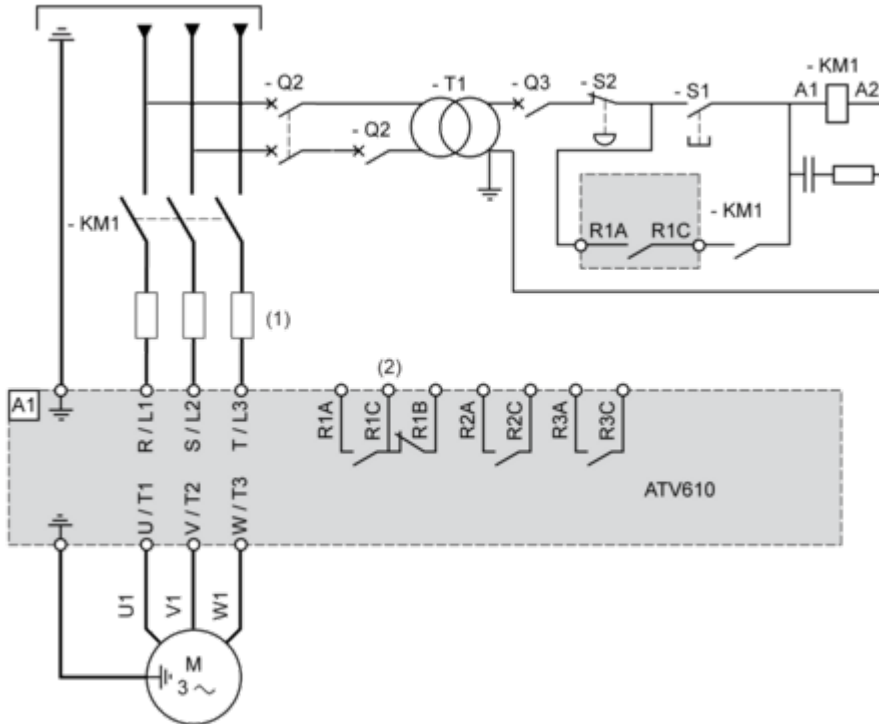


$a \geq 100 \text{ mm (3.94 in.)}$

Mounting Type B: Side by Side IP20



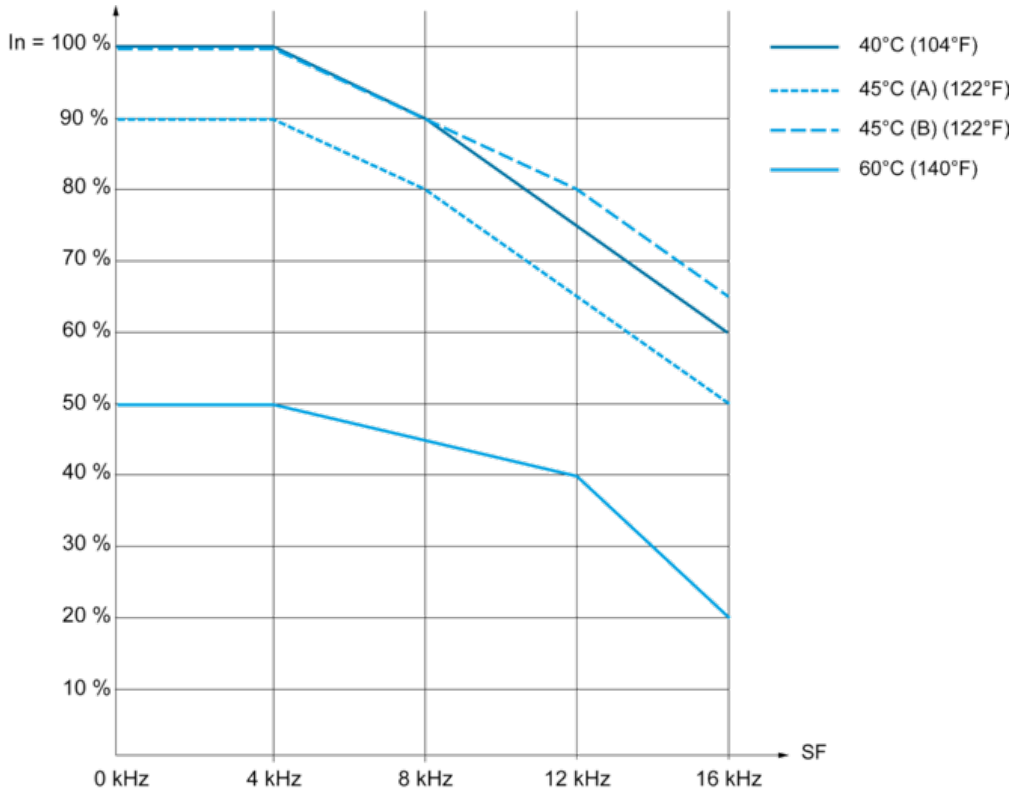
Single or Three-phase Power Supply - Diagram With Line Contactor



- (1) Line chokes
- (2) See control block wiring diagram
- A1 : Drive
- KM1 : Line Contactor
- Q2, Q3 : Circuit breakers
- S1, S2 : Pushbuttons
- T1 : Transformer for control part

Performance Curves

Derating Curves



In : Nominal Drive Current
SF : Switching Frequency